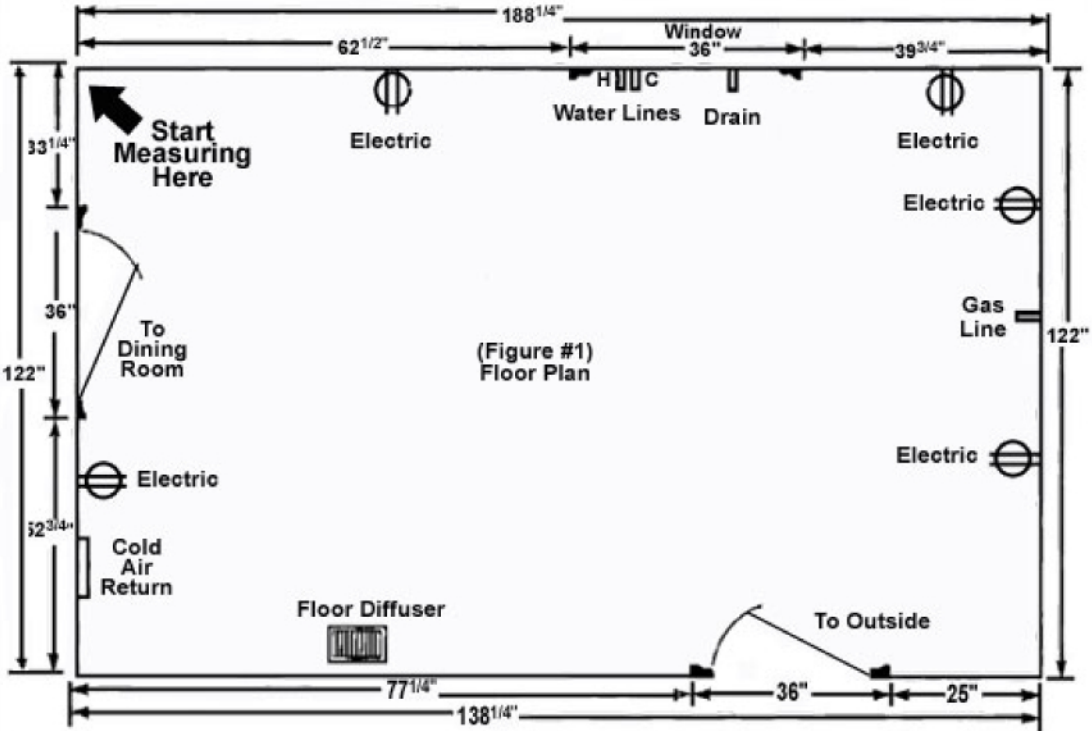
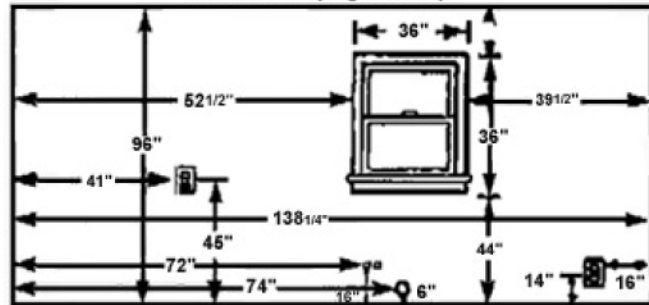


HOW TO MEASURE A KITCHEN

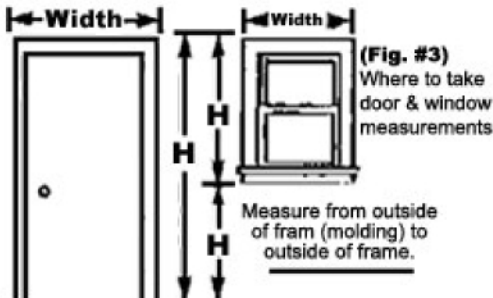


- 1.) Draw a rough floor plan (figure #1) of the kitchen.
- 2.) Measure the first wall, beginning at the left corner and ending at the far right corner. Write the measurement in inches.
- 3.) Measure from left corner to edge of any opening in the wall.
- 4.) Measure across opening from outside trim edge to outside trim edge.
- 5.) Measure from trim edge to far wall. Compare the total of steps 2, 4 and 5 to step 2. Both figures should agree.
- 6.) Mark exact location of air ducts, water, drain and gas lines, electrical outlets and switches on the floor plan.

Elevation (Figure #2)



- 9.) Measure from window sill to top of window.
- 10.) Measure from top of window to ceiling.
- 11.) Measure from floor to ceiling. Compare to total of steps 8, 9 and 10. Both should agree.
- 12.) Measure width of door from edge to trim edge. Indicate position of door swing.
- 13.) Indicate exact location of air ducts, water, drain, and gas lines, electrical outlets and switches on elevation.
- 14.) Measure remaining three walls. Follow steps 2 through 13.
- 15.) Measure stove, refrigerator, microwave, dishwasher and sink. List type and size of all appliances.
- 16.) Double check all measurements.



- 7.) Draw a rough elevation (figure #2) for your first wall.
- 8.) Measure from floor to window sill. (See Fig. #3)